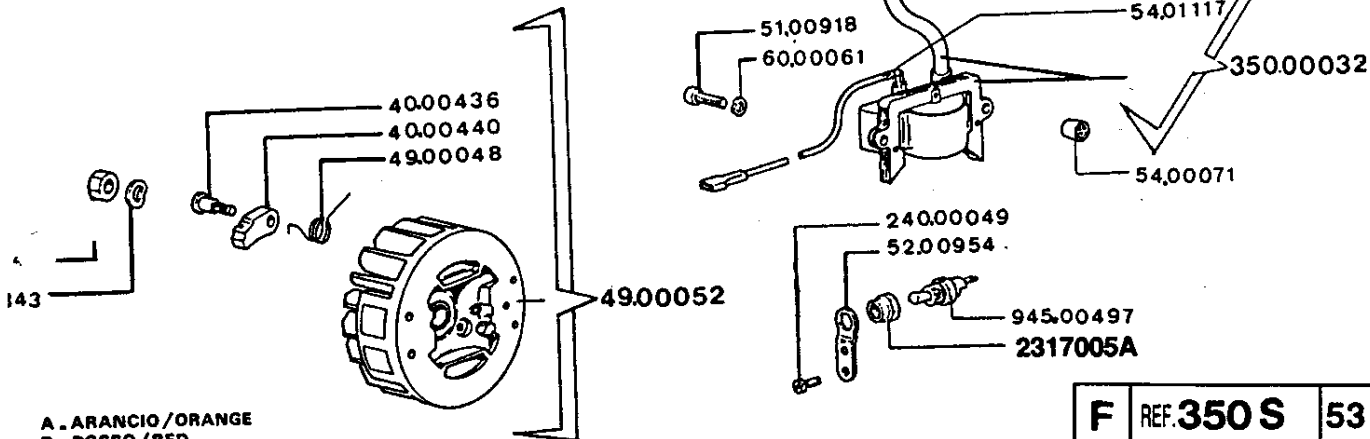
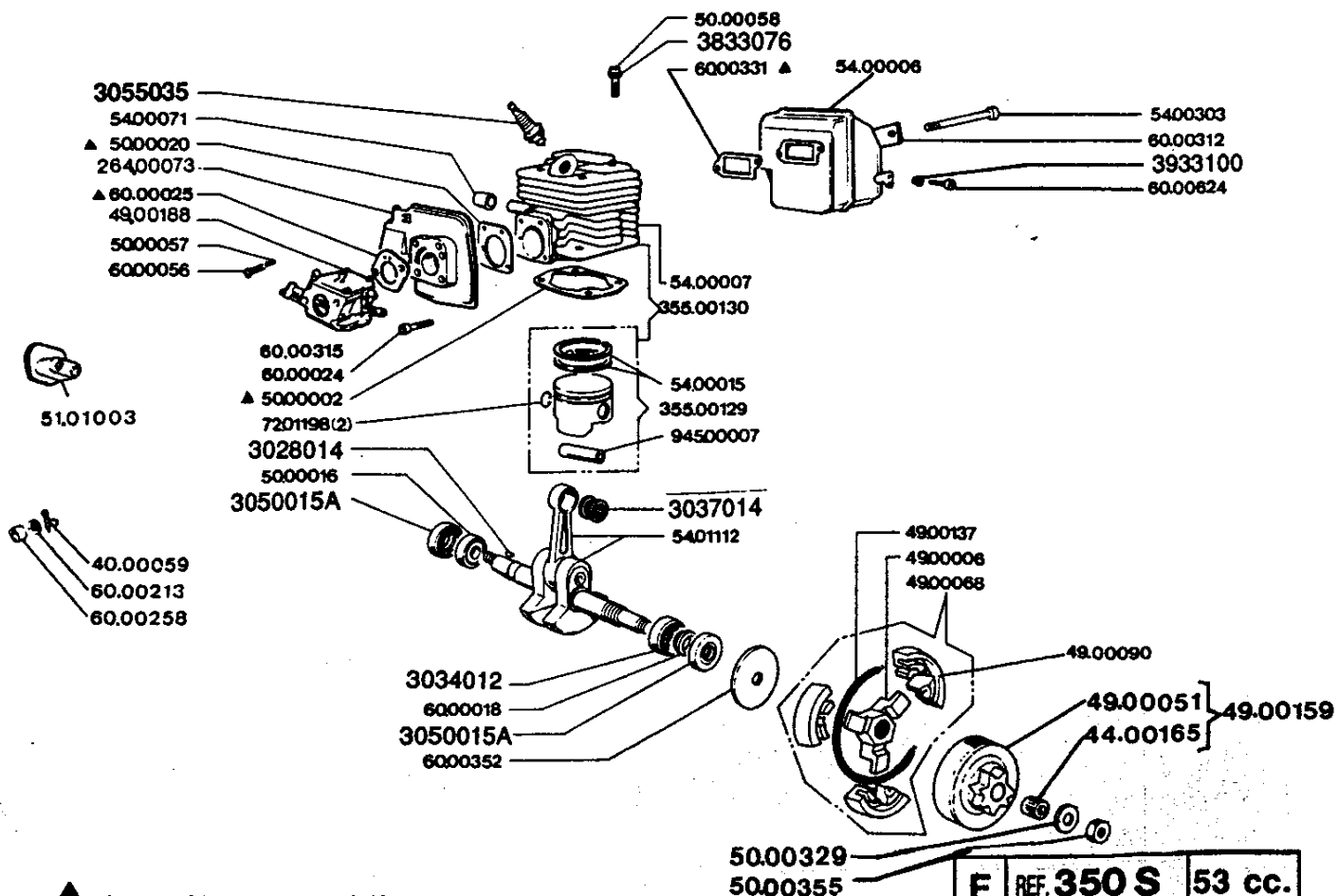


266.00008-A
355.00118-R
355.00107-G



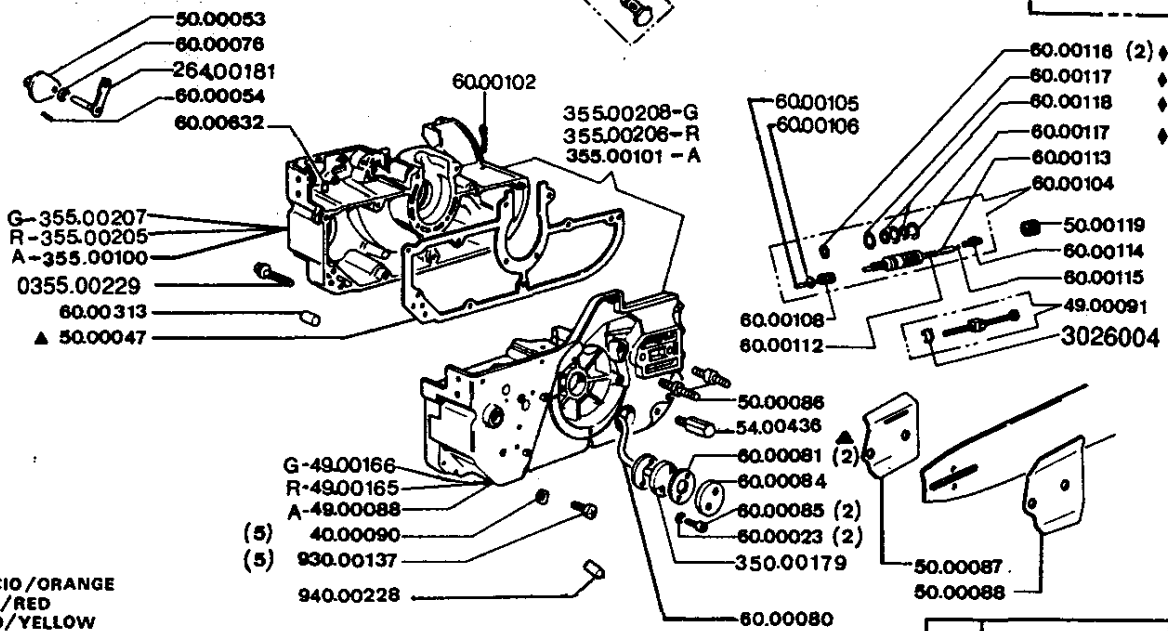
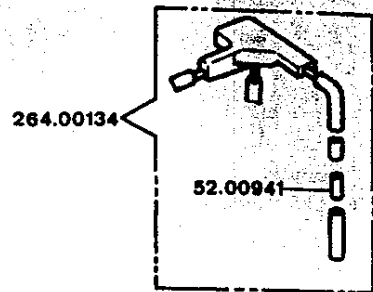
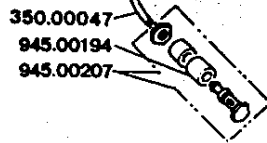
A . ARANCIO /ORANGE
R . ROSSO /RED
G . GIALLO /YELLOW

F	REF. 350 S	53 cc.
1	TAV. A	06 - 94



▲ 50.00330 SERIE GUARNIZIONI / GASKET SET

F	REF. 350 S	53 cc.
2	TAV. B	06 - 94

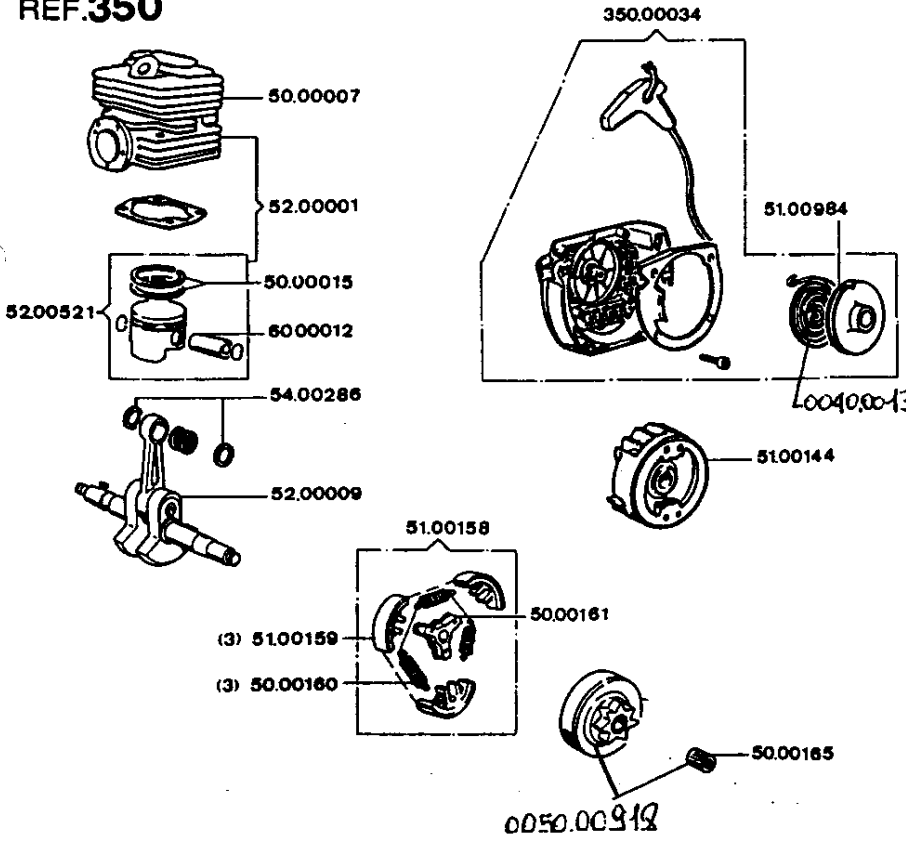


A. ARANCIO/ORANGE
 R. ROSSO/RED
 G. GIALLLO/YELLOW

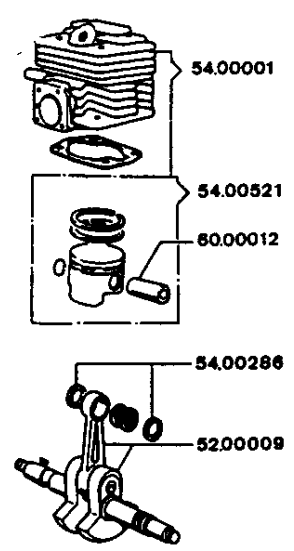
◆ 5100890 SERIE OR X POMPA OLIO / O-RING SET

F	REF. 350S	53 cc.
5	TAV. E	06-94

REF.350

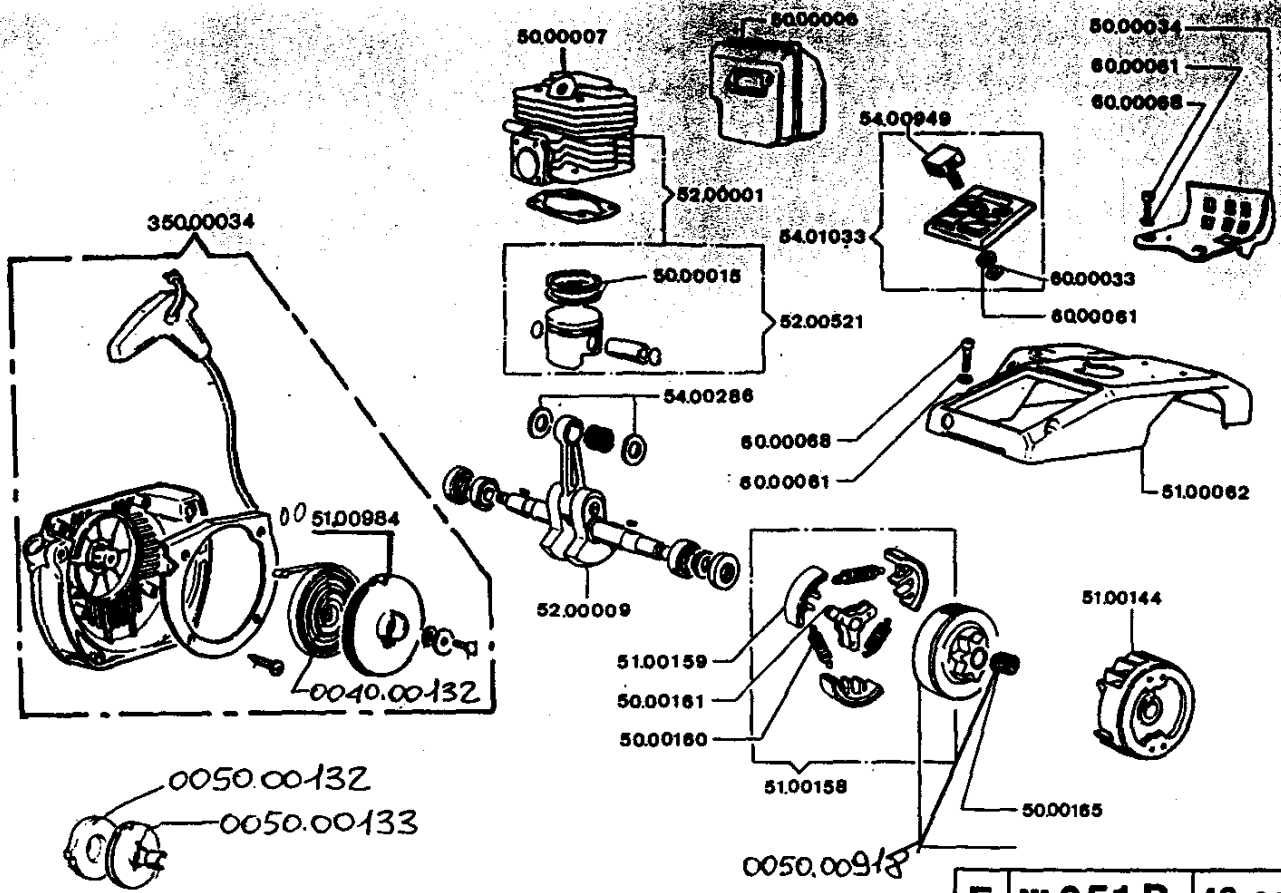


REF.355



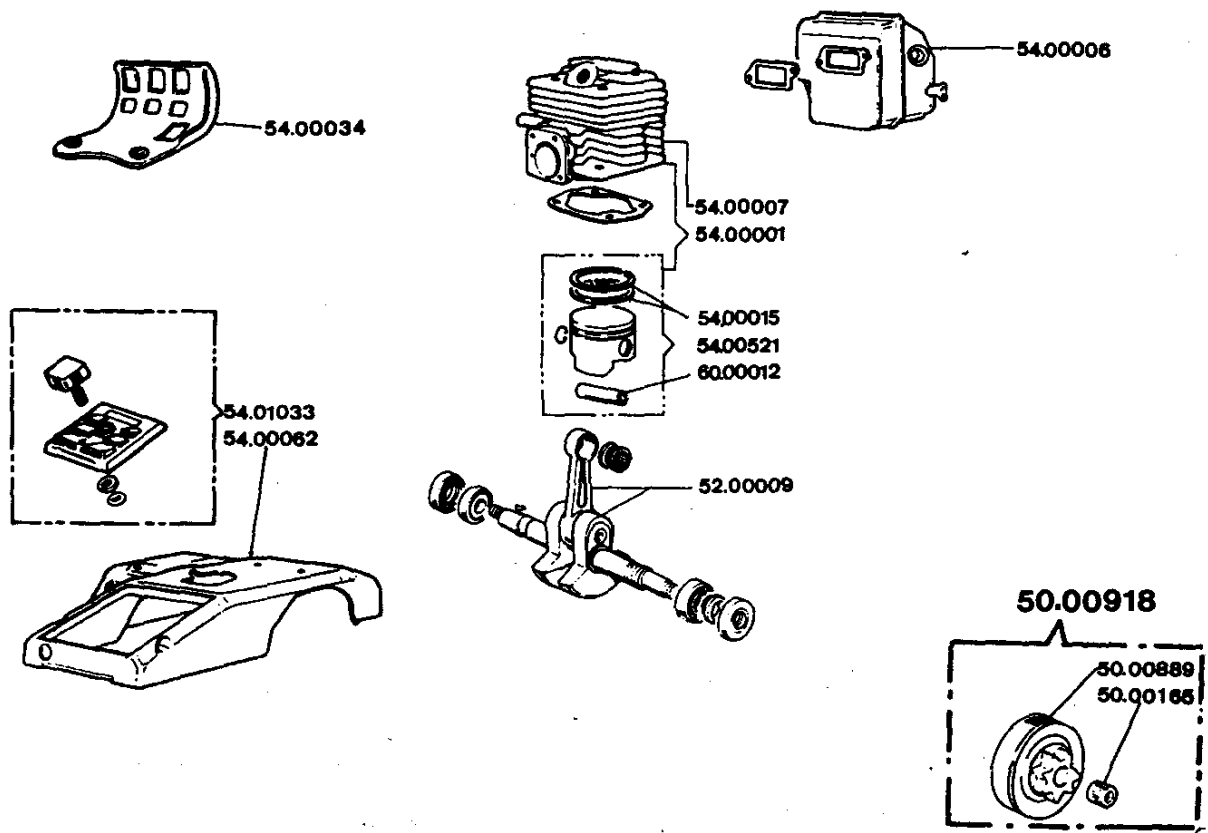
VARIANTI RISPETTO A TAV. BASE 350 S
PARTS DIFFERING FROM ORIGINAL DRAWING 350 S

F	REF. 350 355	49 cc. 53 cc.
6	TAV. F	06-94



VARIANTI RISPETTO A TAV. BASE 350S
PARTS DIFFERING FROM ORIGINAL DRAWING 350S

F	REF. 251 B	49 cc.
7	TAV. G	06 - 94



VARIANTI RISPETTO A TAV. BASE 350S
PARTS DIFFERING FROM ORIGINAL DRAWING 350S

F	REF. 251 S	53 cc.
8	TAV. H	06 - 94